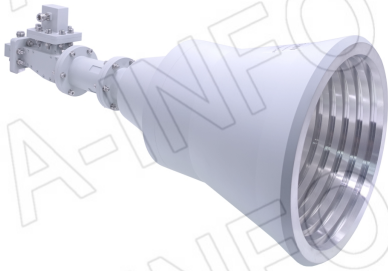


For reference only. See data sheet for the detailed specifications.

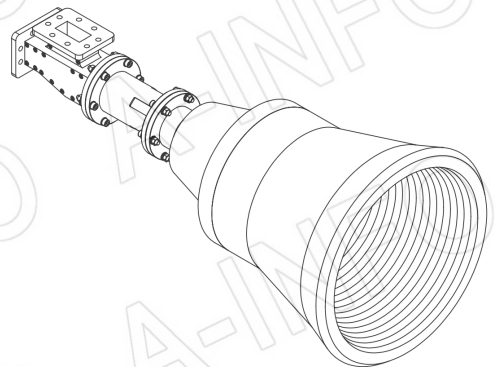
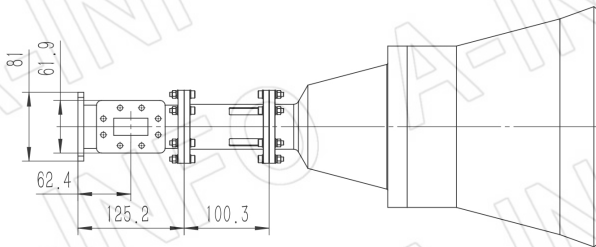
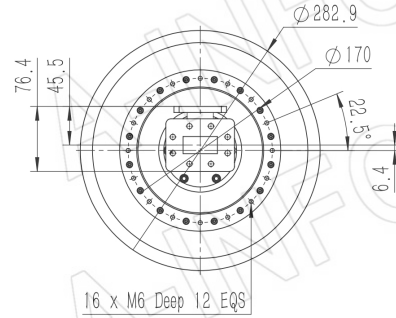
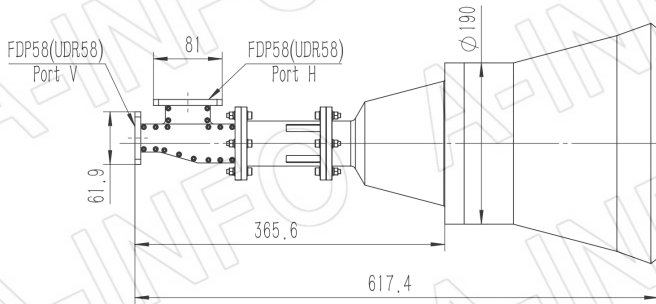
Technical Specification



Frequency Range(GHz)	4.90 – 6.40
Waveguide	WR159
Gain(dBi)	20 Typ.
Polarization	Dual Linear
3dB Beamwidth(deg)	E Plane: 16 Typ.
	H Plane: 16 Typ.
Cross Pol. Isolation(dB)	45 Typ.
Port to Port Isolation(dB)	50 Typ. ; 40 Min.
VSWR	A Type: 1.40:1 Typ.
	C Type: 1.50:1 Typ.
Output	A Type: FDP58(UDR58)
	C Type: N-Female or SMA-Female or TNC-Female or 7mm or 3.5mm-Female
Material	Al
Finish	Chemical Conversion Coating, Gray Paint
Size(mm)	A Type: 282.9 x 282.9 x 617.4
	C Type: 282.9 x 282.9 x 667.4
Net Weight(Kg)	A Type: 9.75 Around
	C Type: 10.20 Around

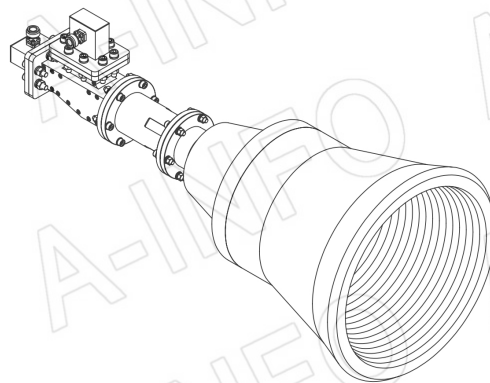
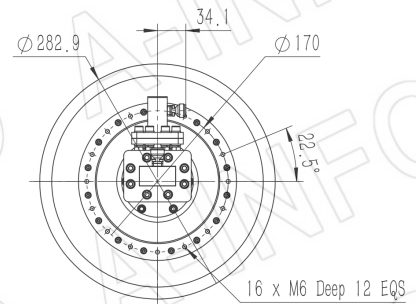
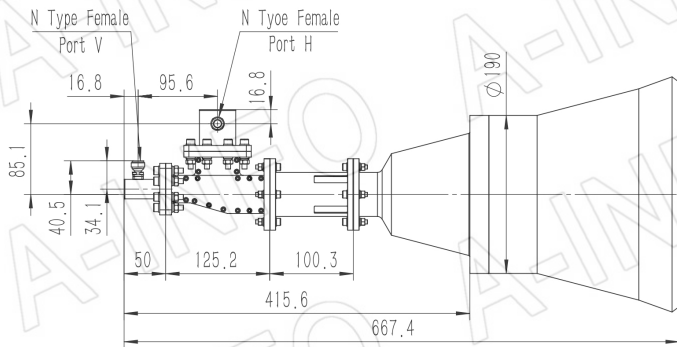
Outline Drawing (Size: mm)

FDP58 Output (P/N: LB-CH-159-20-T06-A)



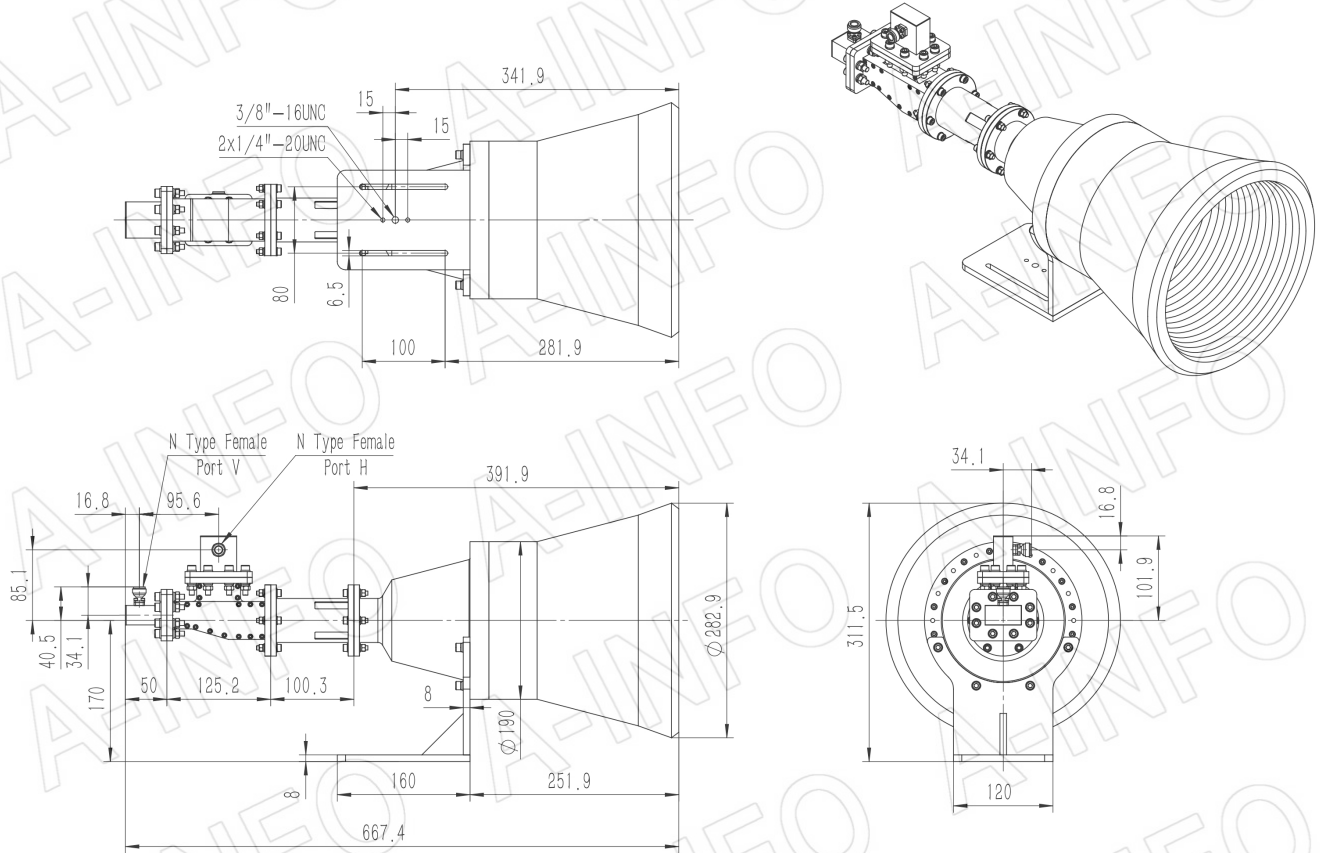
N-Female Output (P/N: LB-CH-159-20-T06-C-NF)

For SMA-Female, TNC- Female, 7mm or 3.5mm-Female output outline drawing, please contact A-INFO.

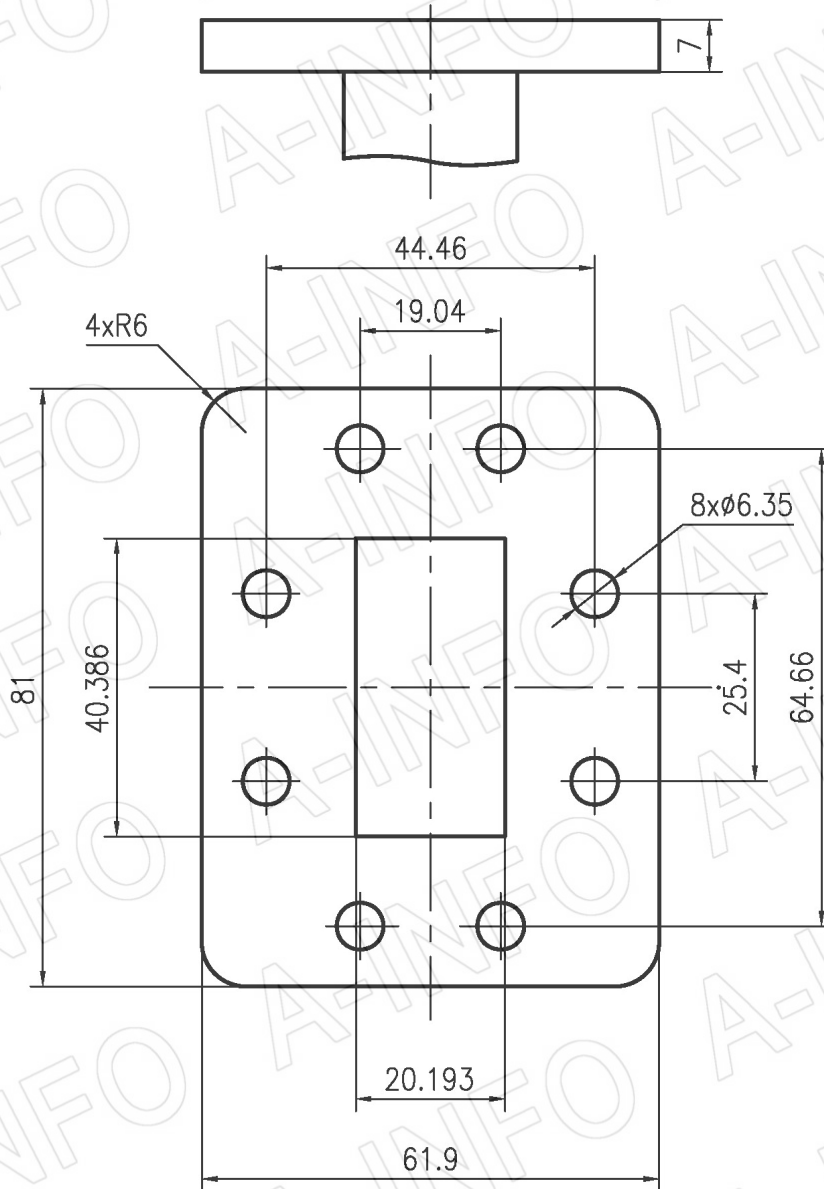


N-Female Output with L Type Mounting Bracket (Option, P/N:LB-CH-159-20-L)

For SMA-Female, TNC- Female, 7mm or 3.5mm-Female output outline drawing, please contact A-INFO.



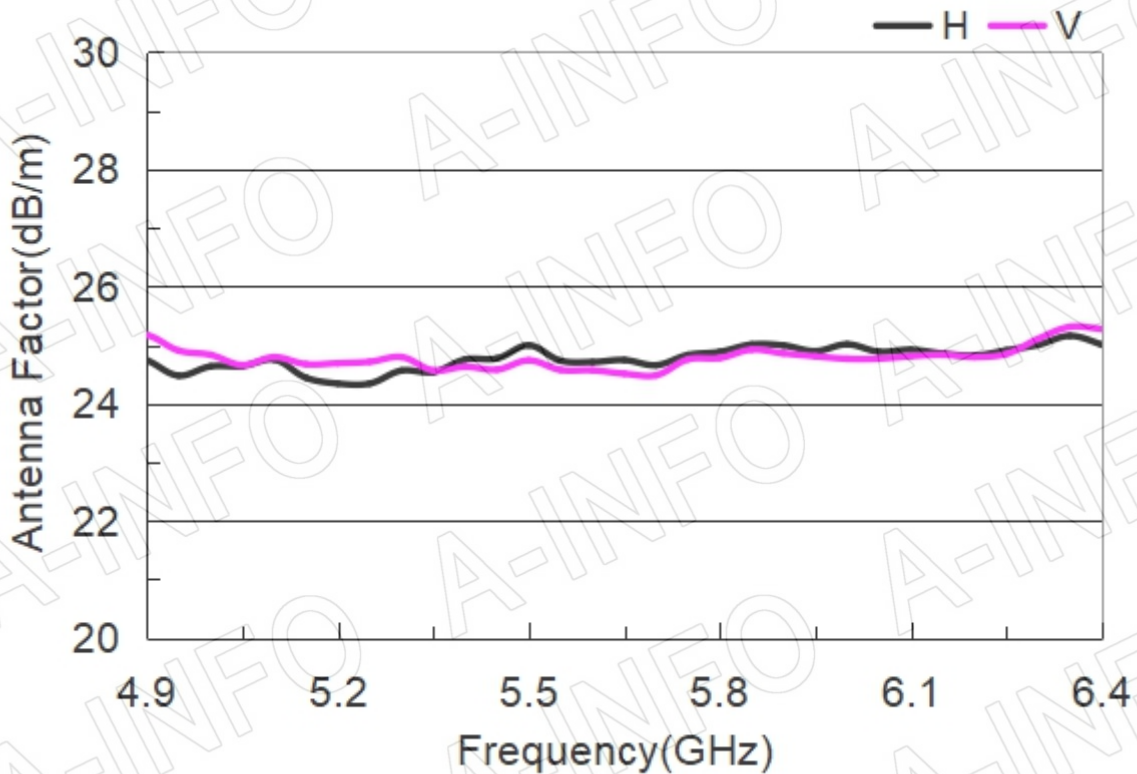
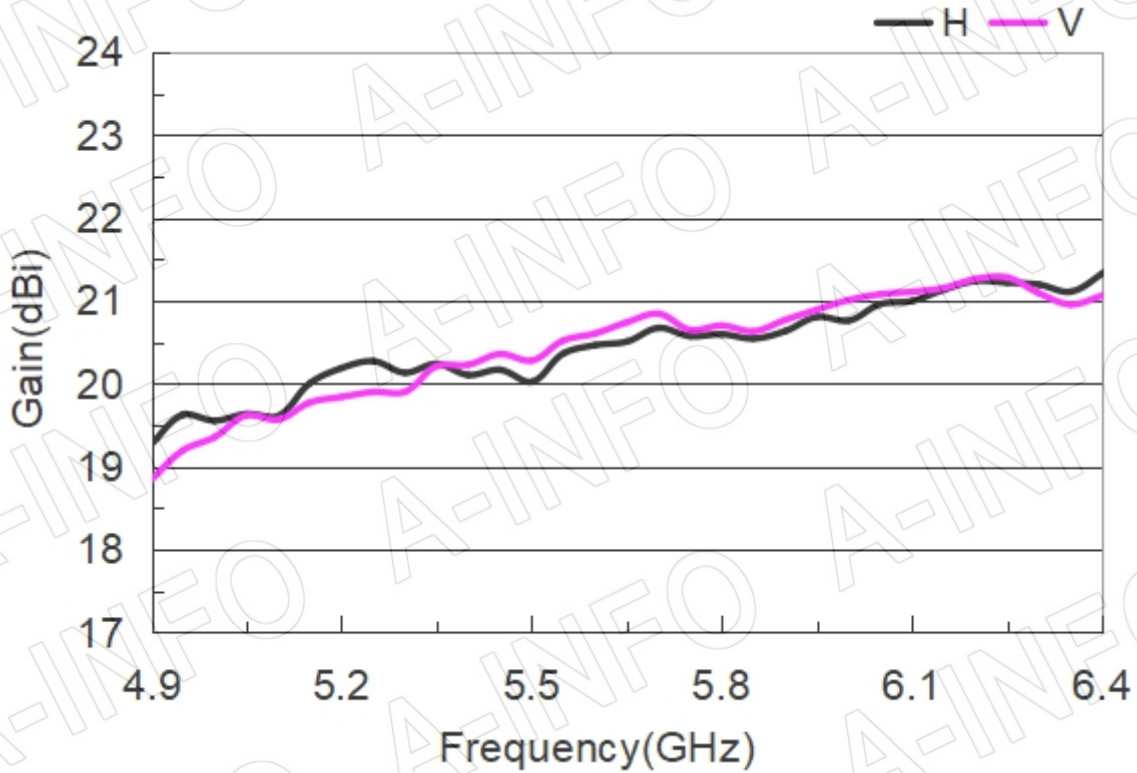
Flange Drawing (Size: mm)



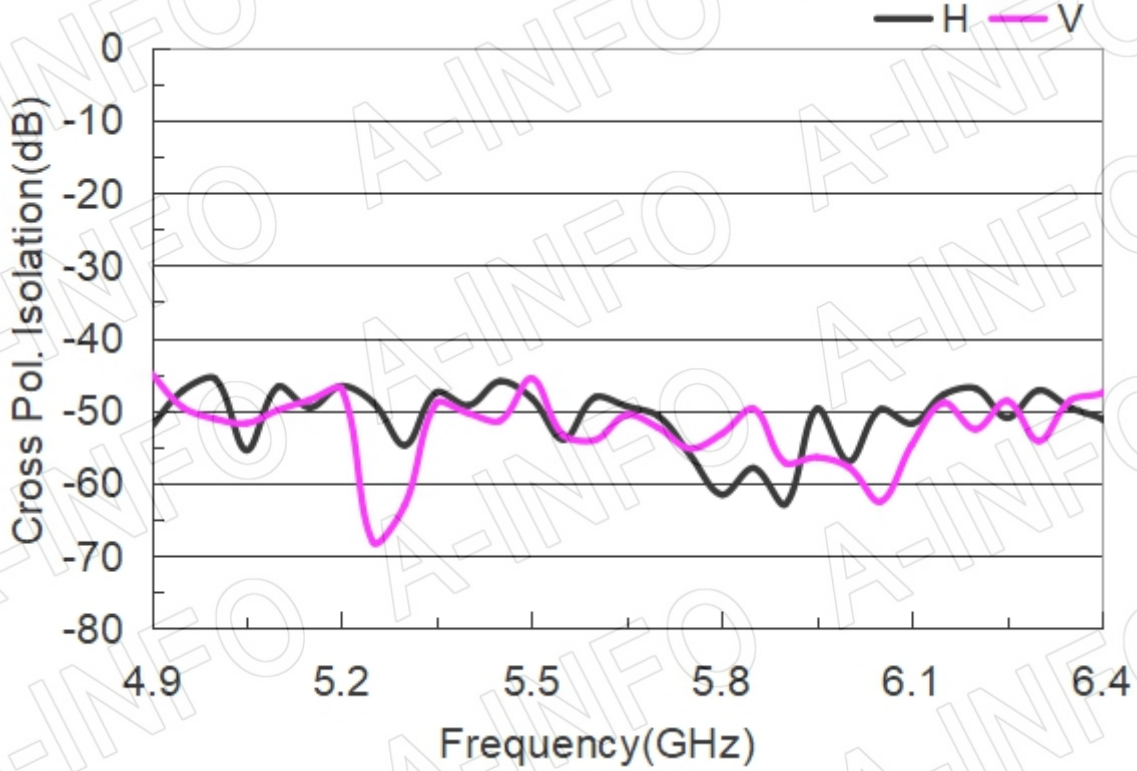
FDP58

Test Results

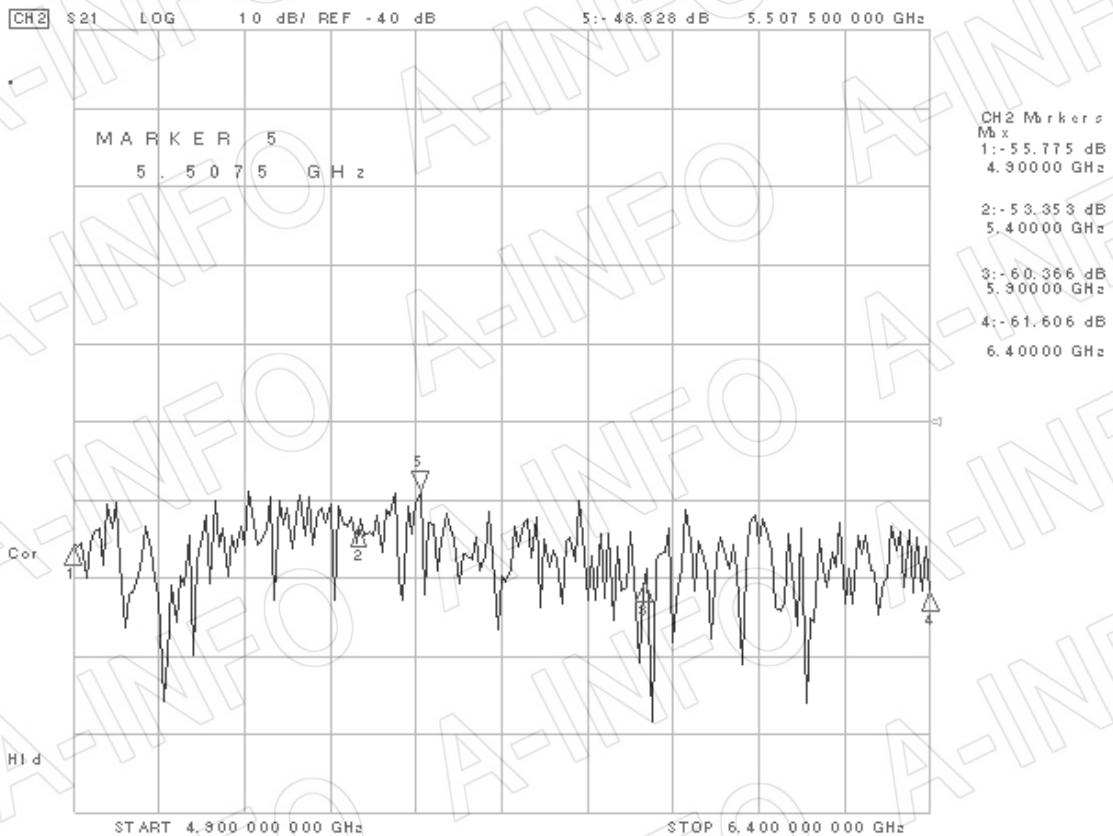
1. Gain & Antenna Factor



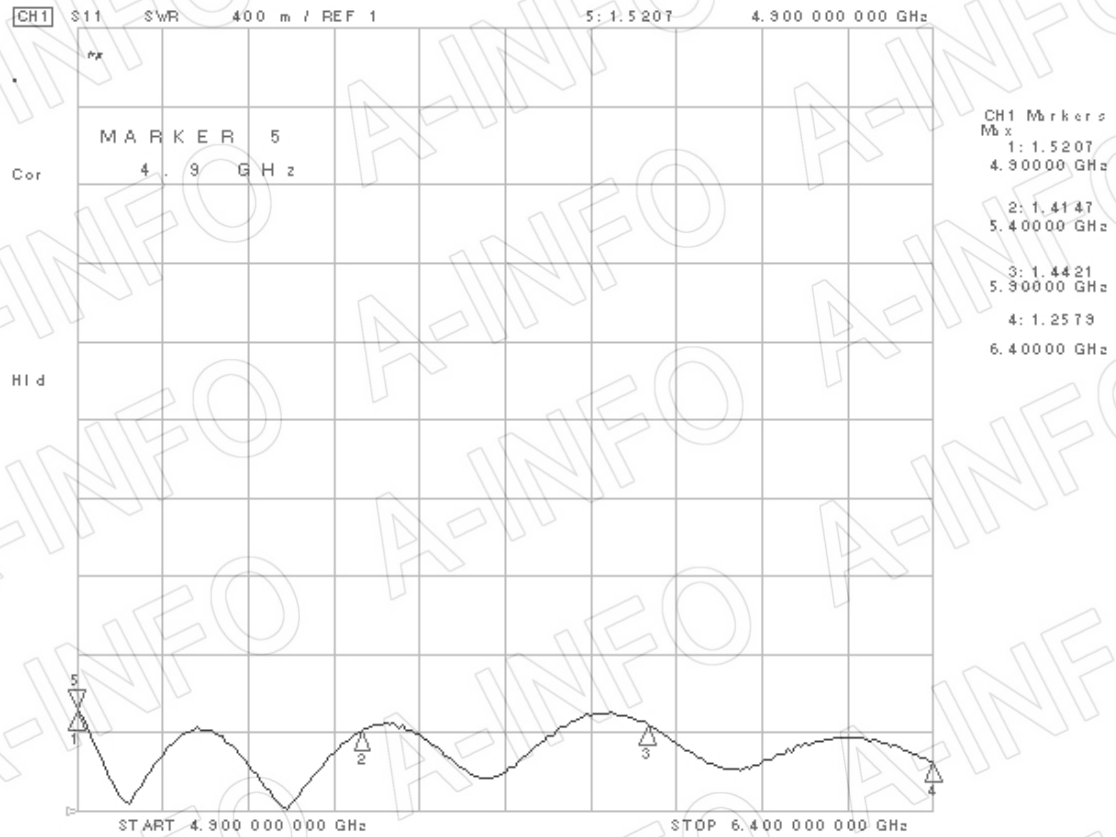
2. Cross Polarization Isolation



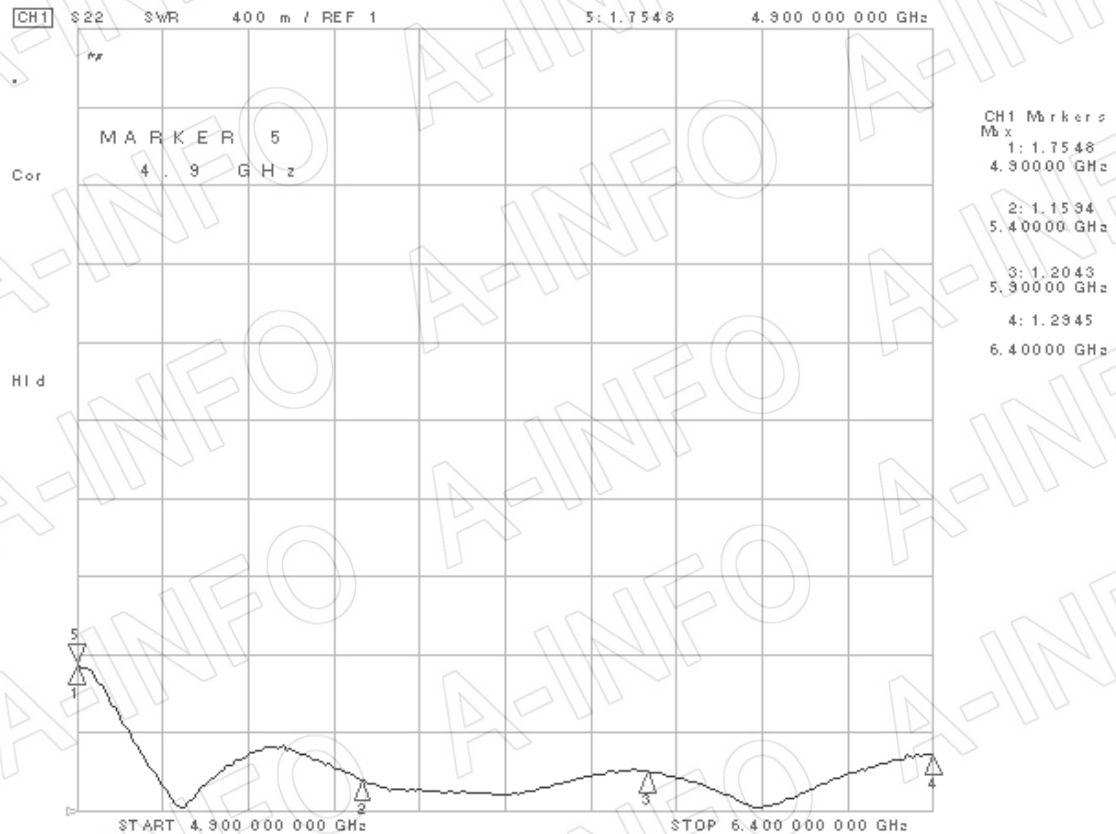
3. Port to Port Isolation



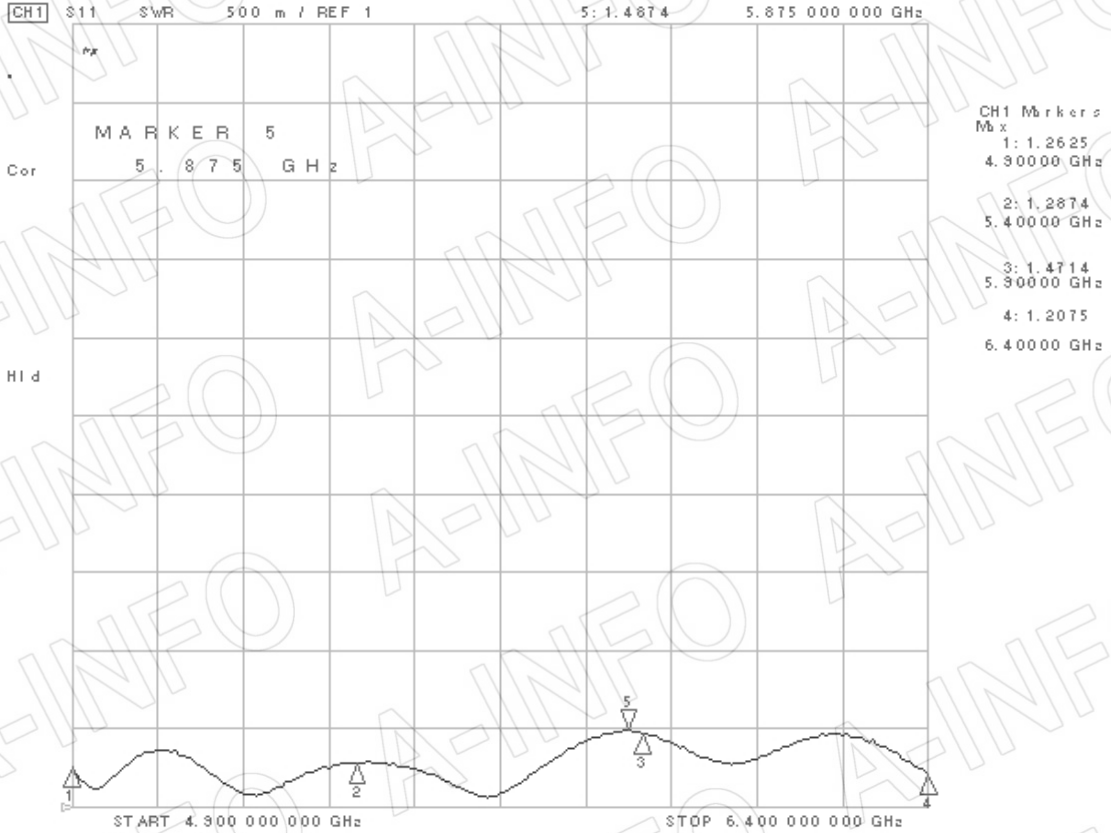
4. VSWR_A Type Port-H



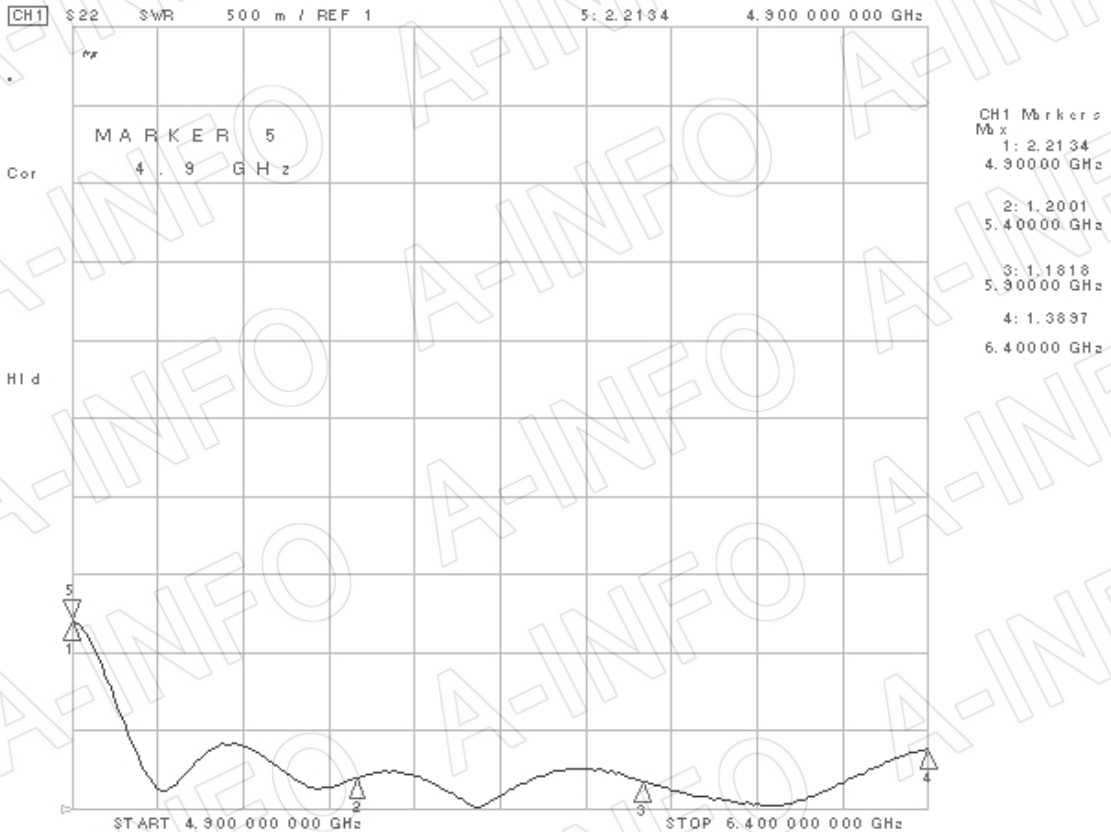
Port-V



VSWR_C Type Port-H



Port-V



5. Pattern

